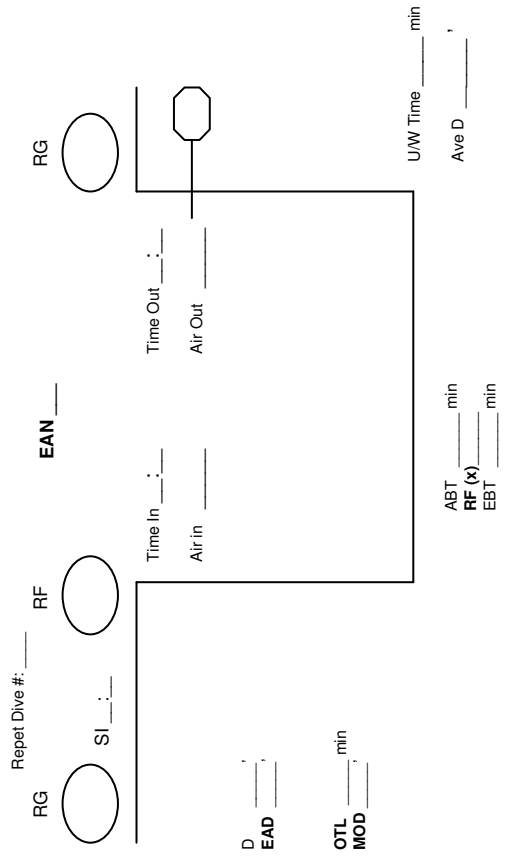


# Dive Log

No. \_\_\_\_\_ Date: \_\_\_\_\_ Location: \_\_\_\_\_  
 Type of Dive: \_\_\_\_\_  
 Weather Conditions: \_\_\_\_\_ Temp: \_\_\_\_\_

Profile



Site Info

Current: \_\_\_\_\_ Surge: \_\_\_\_\_  
 H<sub>2</sub>O Temp: \_\_\_\_\_ Visibility: \_\_\_\_\_

Directions / Other:

Wts: \_\_\_\_\_ Tanks: \_\_\_\_\_

$$\left( \frac{\text{air}}{\text{time}} \times 33 \div \left( \frac{\text{depth}}{\text{depth}} + 33 \right) \right) \div \frac{\text{scfm}}{\text{tcf}} = \text{SCFM}$$

Accum Bottom Time: \_\_\_\_\_ h \_\_\_\_\_ min

Stats / Eqpt

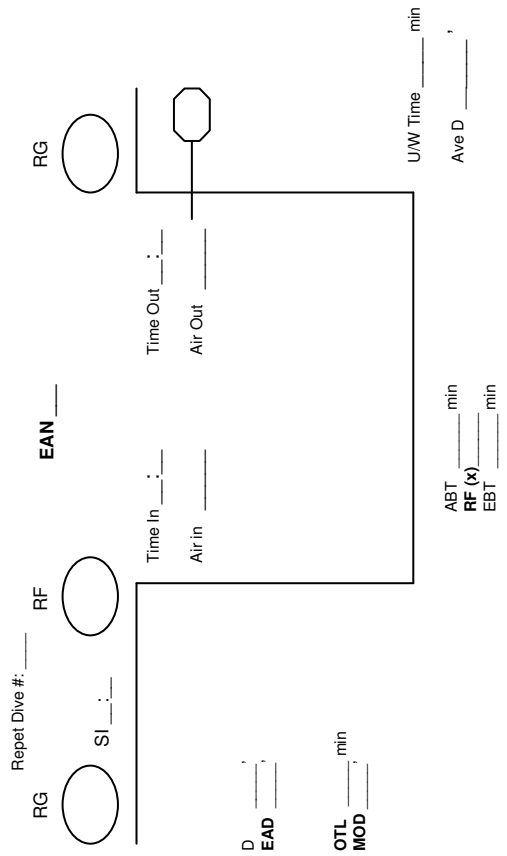
Tank Conversion Factors (tcf):  
 S72: 33.3  
 A180: 37.5  
 S112: 23.6  
 2xS104: 12.7

Dive Buddy: \_\_\_\_\_ Phone #: \_\_\_\_\_

# Dive Log

No. \_\_\_\_\_ Date: \_\_\_\_\_ Location: \_\_\_\_\_  
 Type of Dive: \_\_\_\_\_  
 Weather Conditions: \_\_\_\_\_ Temp: \_\_\_\_\_

Profile



Site Info

Current: \_\_\_\_\_ Surge: \_\_\_\_\_  
 H<sub>2</sub>O Temp: \_\_\_\_\_ Visibility: \_\_\_\_\_

Directions / Other:

Wts: \_\_\_\_\_ Tanks: \_\_\_\_\_

$$\left( \frac{\text{air}}{\text{time}} \times 33 \div \left( \frac{\text{depth}}{\text{depth}} + 33 \right) \right) \div \frac{\text{scfm}}{\text{tcf}} = \text{SCFM}$$

Accum Bottom Time: \_\_\_\_\_ h \_\_\_\_\_ min

Stats / Eqpt

Tank Conversion Factors (tcf):  
 S72: 33.3  
 A180: 37.5  
 S112: 23.6  
 2xS104: 12.7

Dive Buddy: \_\_\_\_\_ Phone #: \_\_\_\_\_

